



CONSTRUCTION  
INDUSTRY COUNCIL  
建造業議會

# **Carpenter (Formwork – Civil Construction ) Trade Test Mock Practical Test Paper**

此文件關於木模板大(土木工程)工藝測試考題。如有需要索取此文件的中文版本，請致電 2100 9000 與香港建造業工藝測試中心聯絡。

## **Disclaimer**

*No part of this material may be reproduced or transmitted in any form or any means without the written permission of the CIC. Whilst reasonable efforts have been made to ensure the accuracy of the information contained in this material, the CIC nevertheless would encourage readers to seek appropriate independent advice from their professional advisers where possible and readers should not treat or rely on this material as a substitute for such professional advice for taking any relevant actions.*

## **Enquiries**

Enquiries on this Material may be made to the Hong Kong Construction Industry Trade Testing Centre at:

95, Yue Kwong Road  
Aberdeen  
Hong Kong

Tel: (852) 2100 9000  
Fax: (852) 2100 9090  
Email: [enquiry@cic.hk](mailto:enquiry@cic.hk)  
Website: [www.cic.hk](http://www.cic.hk)

© 2020 Construction Industry Council.

## Trade Test Paper

Trade : Carpenter (Formwork – Civil Construction)

Grade : Skilled Worker

Test Contents : Complete the following tasks according to the attached drawings at designated location:

Construct a section of formwork for a box culvert kicker with 380mm wide × 740mm tall × 1220mm long. Fillets shall be fixed on both sides of formwork for concrete chamfer. Drill 3 holes on the formwork as per the drawing.

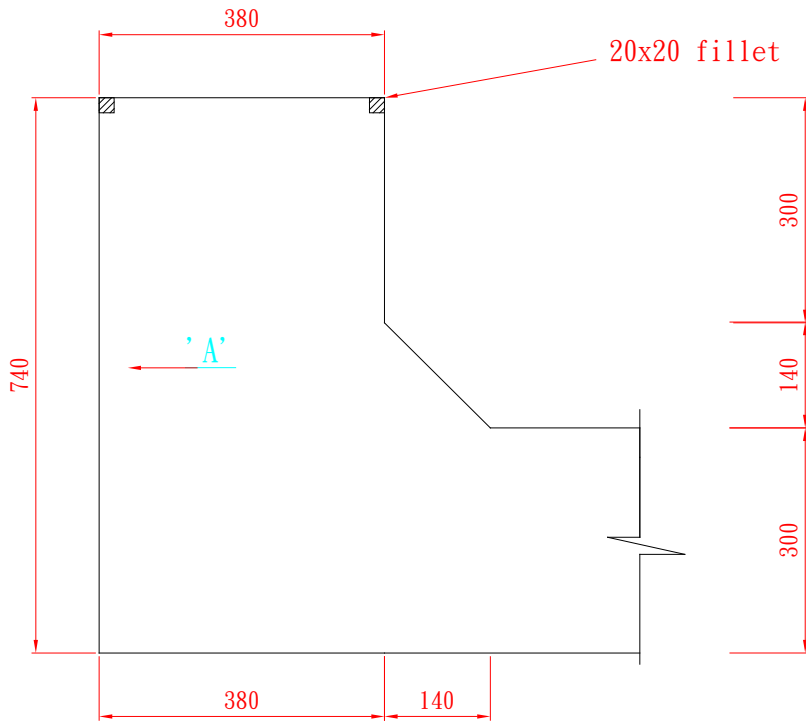
Construct a section of slab of semi-circular column with wall of 400mm wide × 1250mm long × 2400mm tall. Made use of metal scaffolds with platform size of 290 to 400mm × 1062mm × 1270mm. Fix water-stop on the side of size 290mm × 1270mm and fix fillets on the side of 290mm × 1270mm.( The setting out and size of fillets should be decided by candidate.)

Requirements : The tolerance of all dimensions is ±3mm. The formwork shall be constructed strong enough to support the loadings of rebars and concreting work, easily strike off and complied with general practice.

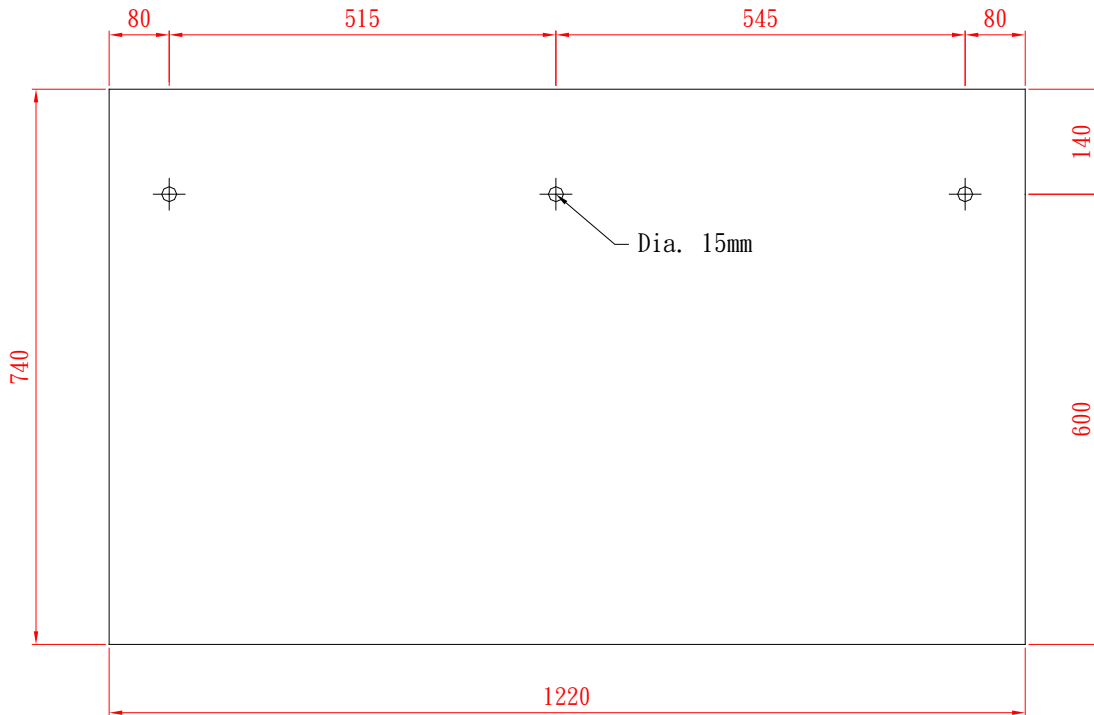
Duration : 6 hours (excluding lunch time)

Notes : (i) Candidate shall read the attached notes for candidate carefully,  
(ii) Candidate will be marked as fail if he does not carry out safety precaution during the test,  
(iii) This test paper consists of 4 pages, full mark is 100, passing mark is 60.

Capenter (Formwork - Civil Construction) - Sketch 1



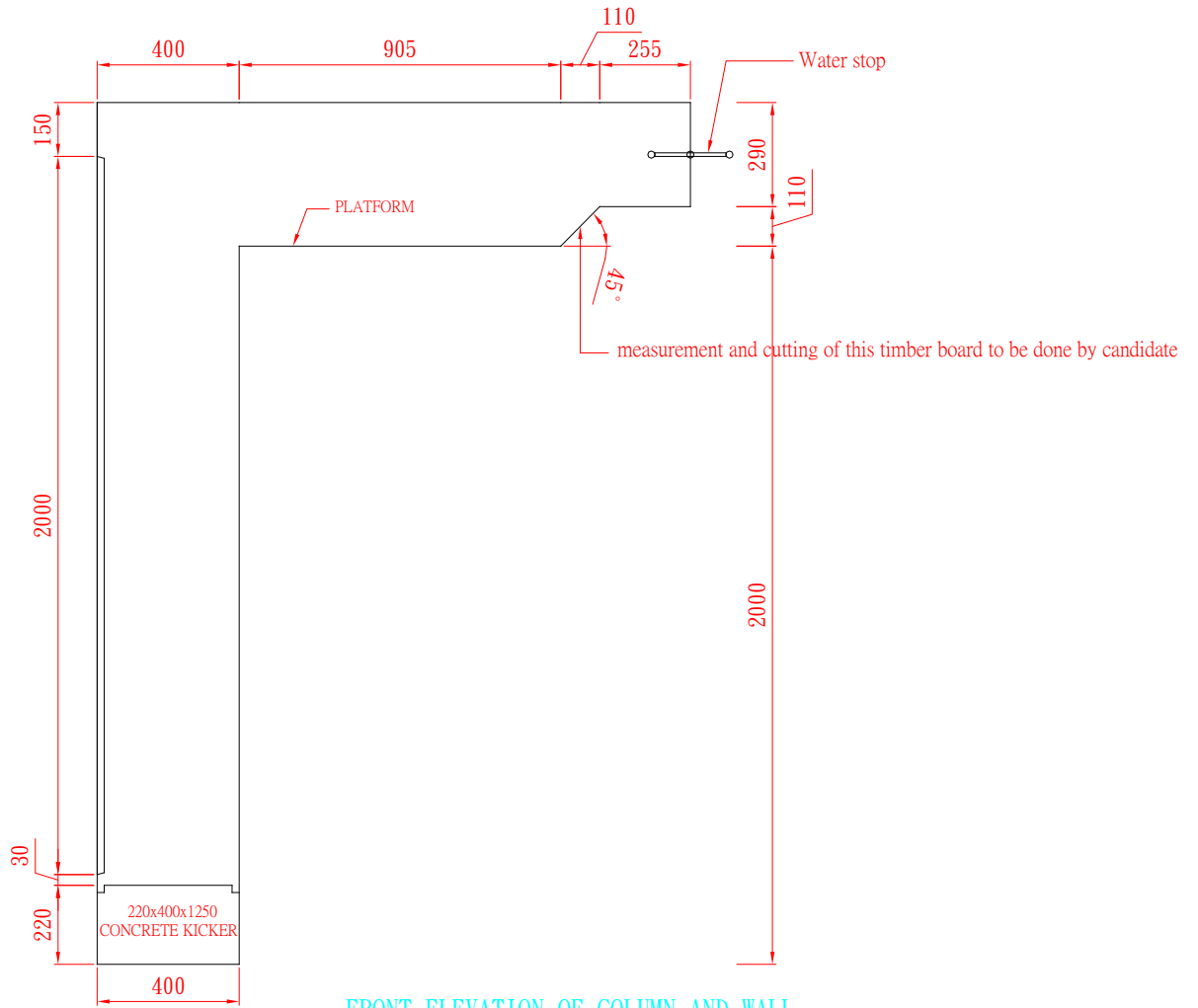
SIDEVIEW



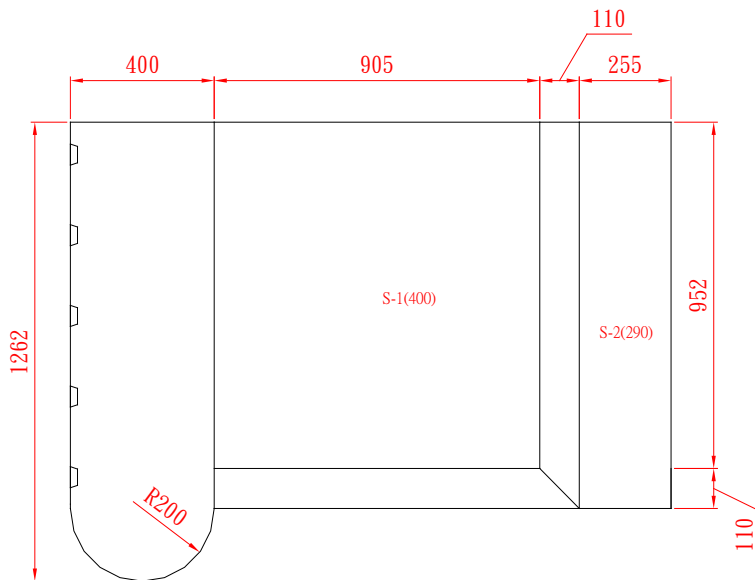
SPACING OF BOLTS AND NUTS  
VIEW 'A'

Tolerance : 3mm
Not to Scale
All dimensions are in mm

Capenter(Formwork - Civil Construction) - Sketch 2



FRONT ELEVATION OF COLUMN AND WALL



TOP VIEW

Tolerance : 3mm
Not To Scale
All dimensions are in mm

Notes to Candidates :

1. Candidates should read the test papers carefully and ask the invigilator for any queries.
2. Candidates should study the drawings and specifications attached to test papers, if any, before the test begins.
3. Candidates should carry out the test according to test papers, working drawings and specifications provided.
4. Candidates shall bring their own safety shoes, other safety equipment will be provided by trade testing centre. Candidates must take all necessary safety precautions to ensure work safety.
5. All tools and materials required by the test will be provided by trade testing centre, candidates should check and ensure their adequacy and quality. Candidates shall use the tools and materials properly based on trade practice. All the tools must be returned to trade testing centre after the test. The candidates may ask the invigilator for any problems.
6. Candidates are required to handle and move the tools and materials for use in the test, and to carry out associated works.
7. Invigilator will take record photos periodically during the test.
8. Candidates are not allowed to take any photo or video with cameras or mobile phones.
9. Candidates are not allowed to use their mobile phones during the trade tests, except for emergency situation.
10. The marking scheme is based on the following criteria :

- a) Understanding of drawing and specification
- b) Preparation works before commencement of test
- c) Working procedures
- d) Accuracy and quality of works
- e) Progress of works
- f) Proper handling and use of materials
- g) Proper use of tools and equipment
- h) Safety precautions
- i) Considerate of other trades
- j) Housekeeping after completion of test

11. All candidates must stop when time is up.
12. Candidates are required to return the test paper to invigilator after the test.
13. Offering bribe to invigilator is an offence in law and trade testing centre will report to the ICAC for any such case.

**In the event that the candidate fails to take any necessary safety precautions and / or works in any dangerous situations, he / she will be assessed failed**