

CIC Construction Innovation Award 2017

- ▶ Grand Prizes

- ▶ International Runners-up

- ▶ Construction Productivity

- ▶ Construction Safety

- ▶ Construction Sustainability

- ▶ Finalists

Announcement of the CIC Construction Innovation Award 2017

The awardees of the CIC Construction Innovation Award 2017 were announced at the JW Marriot Hong Kong at the CIC Construction Innovation Award Presentation Ceremony and BIM Conference 2017 on 15 December 2017.

Grand Prizes

International Grand Prize Award

Project: **Internet-of-Things-based Portable and Agile Monitoring System for Blind Hoisting in Metro and Underground Construction**



Awardees:

ZHOU Cheng, *Huazhong University of Science and Technology, China*

FANG Weili, *Huazhong University of Science and Technology, China*

WEI Ran, *Huazhong University of Science and Technology, China*

DING Lieyun, *Huazhong University of Science and Technology, China*

Please view this awarded project ([assets/ia-2017/international-grand-prize-award.pdf](#))

Project video: [Click Here \(https://www.youtube.com/watch?v=FHt6MOtcGbc\)](https://www.youtube.com/watch?v=FHt6MOtcGbc)

Local Grand Prize Award

Project: **Post-earthquake Reconstruction Demonstration project of Guangming Village**



Awardees:

NG Yan-yung, Edward, *The Chinese University of Hong Kong*

WAN Li, *The Chinese University of Hong Kong*

CHI Xinan, *The Chinese University of Hong Kong*

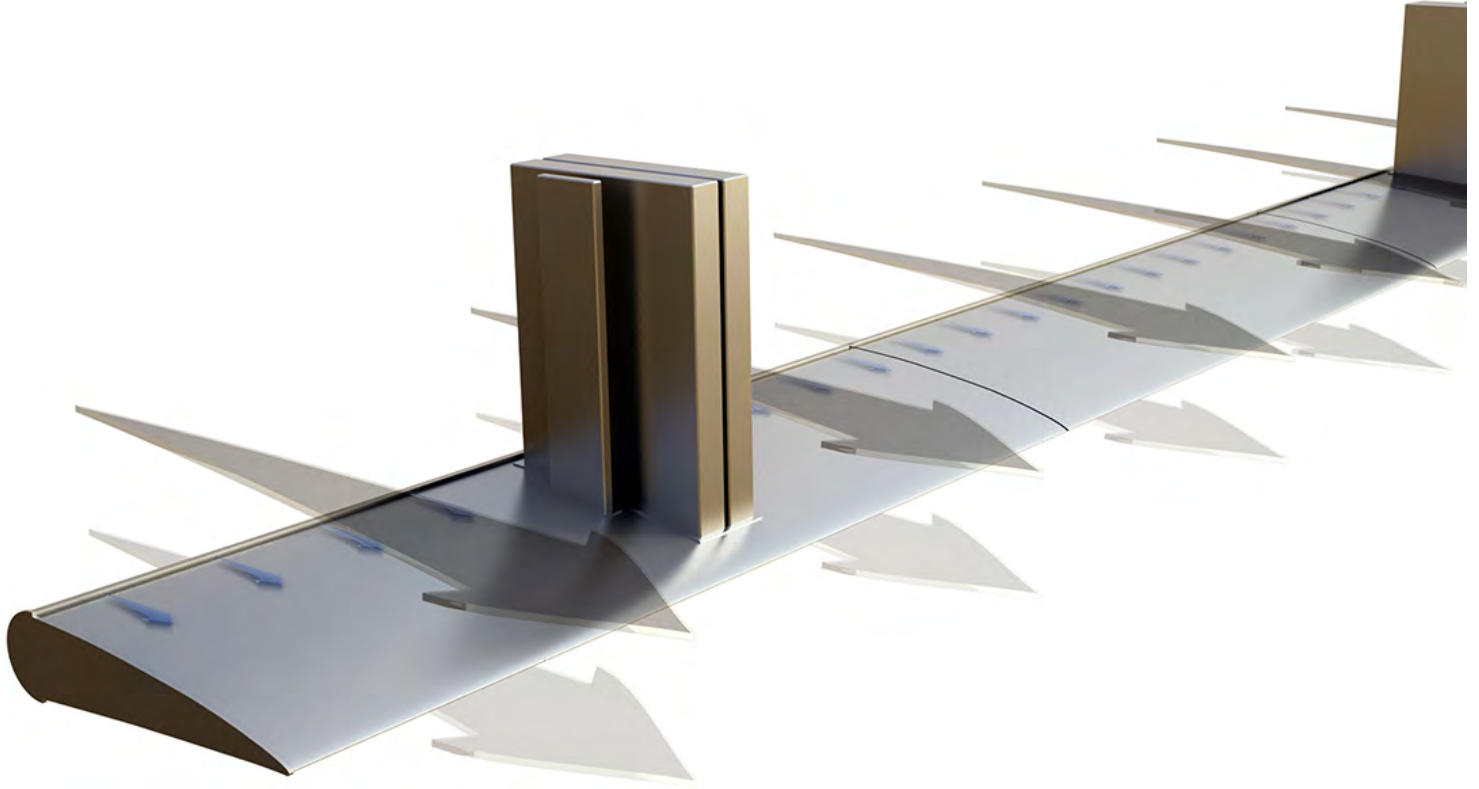
BAI Wenfeng, *Kunming University of Science and Technology, China*

Please view this awarded project ([assets/ia-2017/local-grand-prize-award.pdf](#))

Project video: Click Here (https://www.youtube.com/watch?v=nTw2THmj7ZM&list=PLaKbpj79EwEZosrNaKFnc4WpC_xkTDdtL&index=4)

Young Innovator Award

Project: **Air Induction Unit (AIU)**



Awardees:

Camby SE, *Arup*

Tony LAM, *Arup*

Ricky LI, *Arup*

Alvin LO, *Arup*

Please view this awarded project ([assets/ia-2017/young-innovator-award.pdf](#))

Project video: [Click Here \(https://www.youtube.com/watch?v=Fl6BsTcW6rc&list=PLaKbpj79EwEZosrNaKFnc4WpC_xkTDdtL&index=5\)](https://www.youtube.com/watch?v=Fl6BsTcW6rc&list=PLaKbpj79EwEZosrNaKFnc4WpC_xkTDdtL&index=5)

International Runners-up

International Runner-up

Project: **3D Printing Architecture**



Awardees:

ZHU Shouxun, *Yingchuang Building Technique (Shanghai) Co. Ltd, China*

TSANG Chor-kin, *AECOM Asia Company Ltd.*

LI Luxi, Heather, *AECOM Asia Company Ltd.*

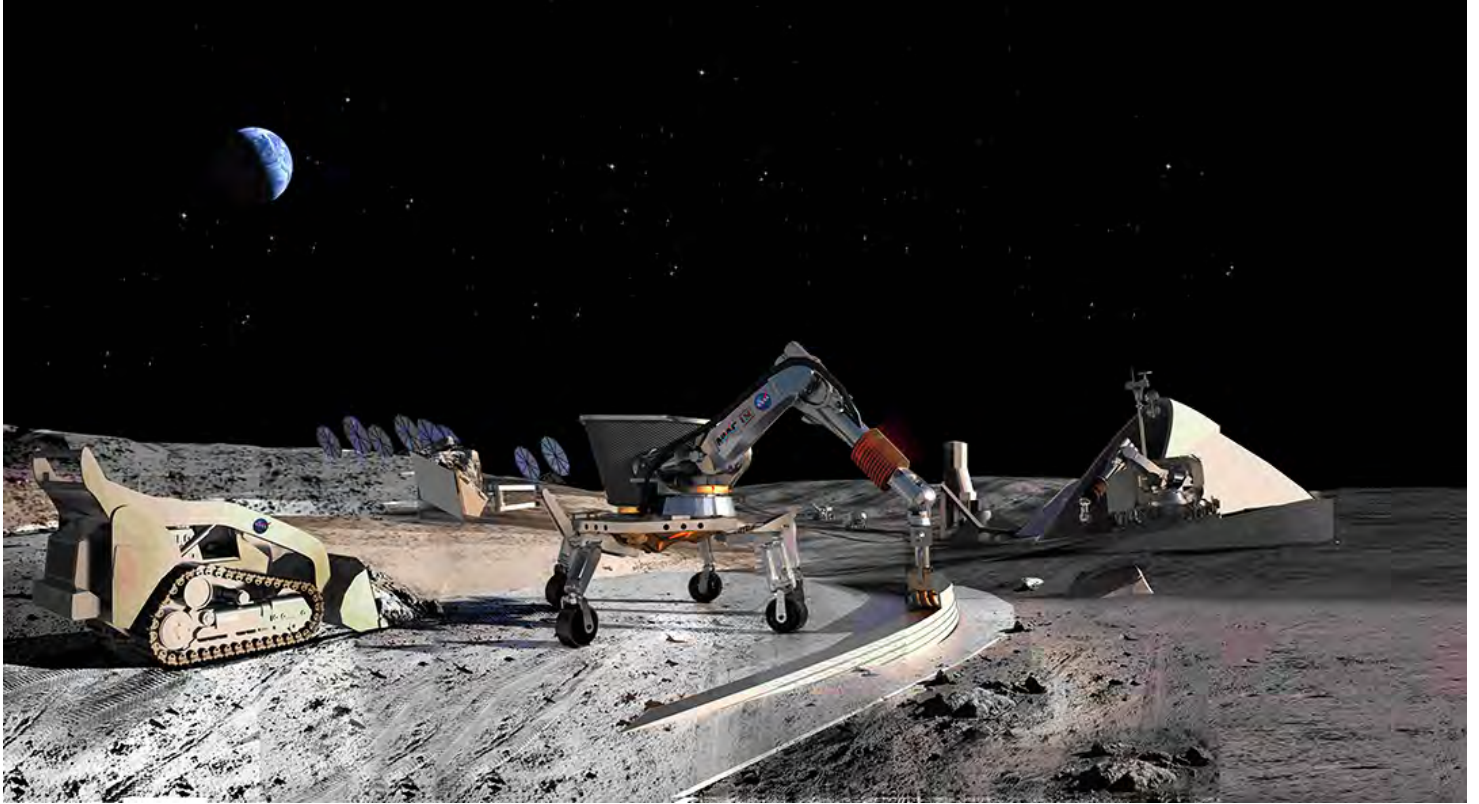
Claudio TRUCCO, *AECOM Ltd. Beijing Office*

Please view this awarded project ([assets/ia-2017/international-runner-up-1.pdf](#))

Project video: Click Here (https://www.youtube.com/watch?v=50FwSBeJRiA&index=2&list=PLaKbpj79EwEZosrNaKFNc4WpC_xkTDdtL)

International Runner-up

Project: **Automated Construction by Large-Scale 3D Printing**



Awardees:

Behrokh KHOSHNEVIS, *Contour Crafting Corporation, USA*

Please view this awarded project ([assets/ia-2017/international-runner-up-2.pdf](#))

Project video: Click Here (https://www.youtube.com/watch?v=gvBGc1_bKYQ&index=2&list=PLaKbpj79EwEZosrNaKFnc4WpC_xkTDdtL)

Construction Productivity

First Prize of Construction Productivity

Project: **Hybrid Outrigger System with Structural Fuse for Tall Buildings**



Awardees:

Michael KWOK, *Arup*

Goman HO, *Arup*

Penny CHEUNG, *Arup*

Li-gang ZHU, *Arup*

Please view this awarded project ([assets/ia-2017/construction-productivity-first.pdf](#))

Project video: Click Here (https://www.youtube.com/watch?v=zJRzpf_3Ons&list=PLaKbpj79EwEZosrNaKFnc4WpC_xkTDdtL&index=6)

Second Prize of Construction Productivity

Project: **New Machine to Enhance Productivity of Bridge Deck Erection**



Awardees:

James Edward LAWTON, *Lambeth Associates Ltd.*

FUNG Kwok-fai, Alex, *Gammon Construction Ltd.*

Please view this awarded project ([assets/ia-2017/construction-productivity-second.pdf](#))

Project video: Click Here (https://www.youtube.com/watch?v=oTVI33CMLIA&list=PLaKbpj79EwEZosrNaKFnc4WpC_xkTDdtL&index=7)

Construction Safety

First Prize of Construction Safety

Project: **Bio-Inspired Anti-Vibration Exoskeleton (BIAVE)**



Awardees:

JING Xing-jian, *The Hong Kong Polytechnic University*

YEUNG Wang-sun, Vincent, *Gammon Construction Ltd.*

FOO Jun-jie, Derek, *Hilti (Hong Kong) Ltd.*

Please view this awarded project ([assets/ia-2017/construction-safety-first.pdf](#))

Project video: Click Here (https://www.youtube.com/watch?v=Y2zfRYOKpZY&list=PLaKbpj79EwEZosrNaKFnc4WpC_xkTDdtL&index=8)

Second Prize of Construction Safety

Project: **Service Robot for Repair Exterior Gas Pipe**



Awardees:

CHEUNG Pak-kin, *The Hong Kong and China Gas Company Ltd.*

LAI Wai-chiu, King, *City University of Hong Kong*

LAU Pui-yee, Michelle, *The Hong Kong and China Gas Company Ltd.*

YEUNG Pui-ching, Kenny, *The Hong Kong and China Gas Company Ltd.*

Please view this awarded project ([assets/ia-2017/construction-safety-second.pdf](#))

Project video: Click Here (https://www.youtube.com/watch?v=W3kVeX1_GBg&list=PLaKbpj79EwEZosrNaKFNc4WpC_xkTDdtL&index=10)

Construction Sustainability

First Prize of Construction Sustainability

Project: **Supercritical Vortex Intakes for Urban Stormwater Management**



Awardees:

LEE Hun-wei, Joseph, *The Hong Kong University of Science and Technology*

TSANG Kwok-leung, Anthony, *Drainage Services Department, HKSAR Government*

KWOK Yim, Andy, *Black & Veatch Hong Kong Ltd.*

John ACKERS, *Black & Veatch Ltd. (UK)*

Please view this awarded project ([assets/ia-2017/construction-sustainability-first.pdf](#))

Project video: Click Here (https://www.youtube.com/watch?v=aXyNhcsPEHE&list=PLaKbpj79EwEZosrNaKFnc4WpC_xkTDdtL&index=11)

Second Prize of Construction Sustainability

Project: **Game Changing Technology - "Innovative Capsule Technology for Producing High-performance Lightweight Cellular Concrete"**



Awardees:

SO Kwok-leung, *Hip Hing Construction Company Ltd.*

LAM Yuet-kee, *Nano and Advanced Materials Institute Ltd.*

Ivan SHAM, *Nano and Advanced Materials Institute Ltd.*

Please view this awarded project ([assets/ia-2017/construction-sustainability-second.pdf](#))

Project video: Click Here (https://www.youtube.com/watch?v=6rO1Fxf-4kl&list=PLaKbpj79EwEZosrNaKFnc4WpC_xkTDdtL&index=12)

Finalists

Finalists

Project: **MTR Material Management System (MTS) – An Innovative and Effective Quality Assurance Material Testing System**



Awardees:

Clement NGAI, *MTR Corporation*

Sam CHOY, *MTR Corporation*

TSE Chun-ho, *MTR Corporation*

Please view this awarded project ([assets/ia-2017/finalist-mtr.pdf](#))

Project video: Click Here (https://www.youtube.com/watch?v=QGm2U255OAw&index=13&list=PLaKbpj79EwEZosrNaKFnc4WpC_xkTDdtL)

Finalists

Project: **Checked Panel - System & Application**



Awardees:

HAN Guori, *Unitinno Architectural Technology Development Co. Ltd.*

HE Yingjie, *Unitinno Architectural Technology Development Co. Ltd.*

LAU Hing-ching, *Unitinno Architectural Technology Development Co. Ltd.*

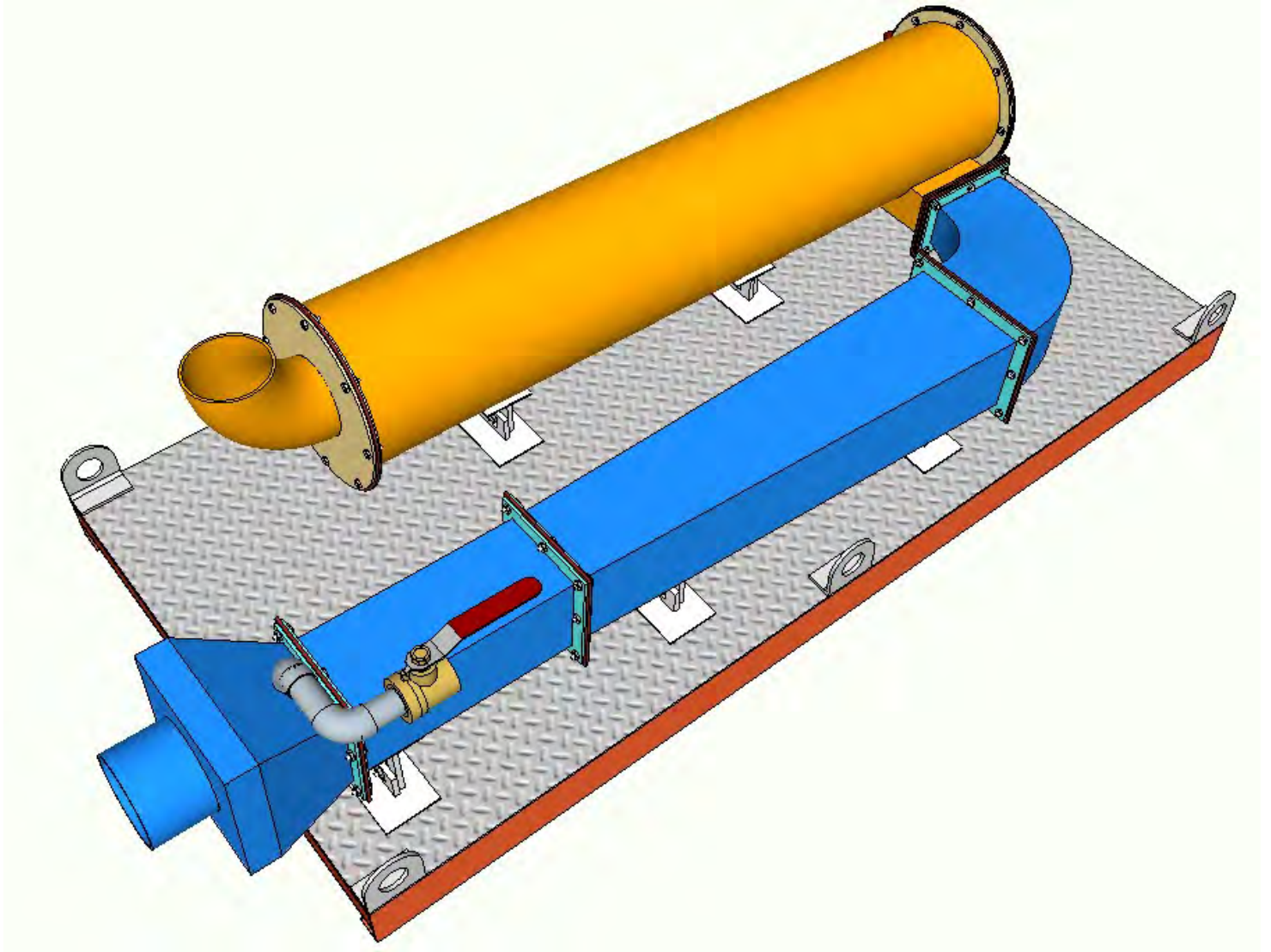
ZHU Jingxiang, *The Chinese University of Hong Kong*

Please view this awarded project ([assets/ia-2017/finalist-cuhk.pdf](#))

Project video: Click Here (https://www.youtube.com/watch?v=3FpsaPcnRuc&list=PLaKbpj79EwEZosrNaKFnc4WpC_xkTDdtL&index=14)

Finalists

Project: **Venturi Cyclone for Mitigating Diesel Generator Exhaust**



Awardees:

MOK Kwok-ho, *Hip Hing Construction Company Ltd.*

KWONG Chee-keung, *Hip Hing Construction Company Ltd.*

LEUNG Wai-yip, *Hip Hing Construction Company Ltd.*

Please view this awarded project ([assets/ia-2017/finalist-hiphing.pdf](#))

Project video: Click Here (https://www.youtube.com/watch?v=zX_-sL9Q1q4&index=15&list=PLaKbpj79EwEZosrNaKFnc4WpC_xkTDdtL)

Finalists

Project: **TC Smart Station: The Intelligent Electric Distribution Box**



Awardees:

ZHU Min-feng, *Transcendence Company Ltd.*

YU Fuk-kwong, Joey, *Transcendence Company Ltd.*

CHENG Wai-lung, Brian, *China State Mechanical & Electrical Engineering Ltd.*

ZHANG Zhao-yin, *China State Mechanical & Electrical Engineering Ltd.*

Please view this awarded project ([assets/ia-2017/finalist-tcsmart.pdf](#))

Project video: Click Here (https://www.youtube.com/watch?v=cxi2h8knXCY&index=16&list=PLaKbpj79EwEZosrNaKFnc4WpC_xkTDdtL)

Finalists

Project: **A Multidimensional Decision Support Platform for Sustainable Construction**



Awardees:

SHEN Qiping, Geoffrey, *The Hong Kong Polytechnic University*

XUE Fan, *The Hong Kong Polytechnic University*

GUO Jian, *The Hong Kong Polytechnic University*

LIANG Xin, *The Hong Kong Polytechnic University*

Please view this awarded project ([assets/ia-2017/finalist-polyu.pdf](#))

Project video: Click Here (https://www.youtube.com/watch?v=Ad19pDIn8II&list=PLaKbpj79EwEZosrNaKFnc4WpC_xkTDdtL&index=17)

Finalists

Project: **MatrixDeck System**



Awardees:

CHU Ying-lung, Billy, *MDM Group Inc. Ltd.*

Please view this awarded project ([assets/ia-2017/finalist-mdm.pdf](#))

Project video: Click Here (https://www.youtube.com/watch?v=yhmIhhFnwRQ&list=PLaKbj79EwEZosrNaKFnc4WpC_xkTDdtL&index=18)