



# **Curtain Wall Installer Intermediate Trade Test Mock Practical Test Paper**

此文件關於幕牆工工藝測試考題。如有需要索取此文件的中文版本，請致電 2100 9000 與香港建造業工藝測試中心聯絡。

## **Disclaimer**

*No part of this material may be reproduced or transmitted in any form or any means without the written permission of the CIC. Whilst reasonable efforts have been made to ensure the accuracy of the information contained in this material, the CIC nevertheless would encourage readers to seek appropriate independent advice from their professional advisers where possible and readers should not treat or rely on this material as a substitute for such professional advice for taking any relevant actions.*

## **Enquiries**

Enquiries on this Material may be made to the Hong Kong Construction Industry Trade Testing Centre at:

95, Yue Kwong Road  
Aberdeen  
Hong Kong

Tel: (852) 2100 9000

Fax: (852) 2100 9090

Email: [enquiry@cic.hk](mailto:enquiry@cic.hk)

Website: [www.cic.hk](http://www.cic.hk)

© 2020 Construction Industry Council.

## Intermediate Trade Test

Trade : Curtain Wall Installer

Grade : Semi Skilled Worker

Test Content : Complete the following items at designated location:

1. Set out the position of the curtain wall and adjust the mounting plates based on the existing setting out lines in accordance with the information provided at the scene working booth.
2. To fix the aluminum angle onto steel frame by bolts and nuts, torque wrench should be properly used with required torque value in order to tighten the bolts.
3. Install the vertical and horizontal metal members of the curtain wall onto the frame in accordance with the drawings.
4. Remove and install the curtain wall glass panel by using adequate tools in accordance with drawings.

Duration : 3 Hours (Excluding lunch time)

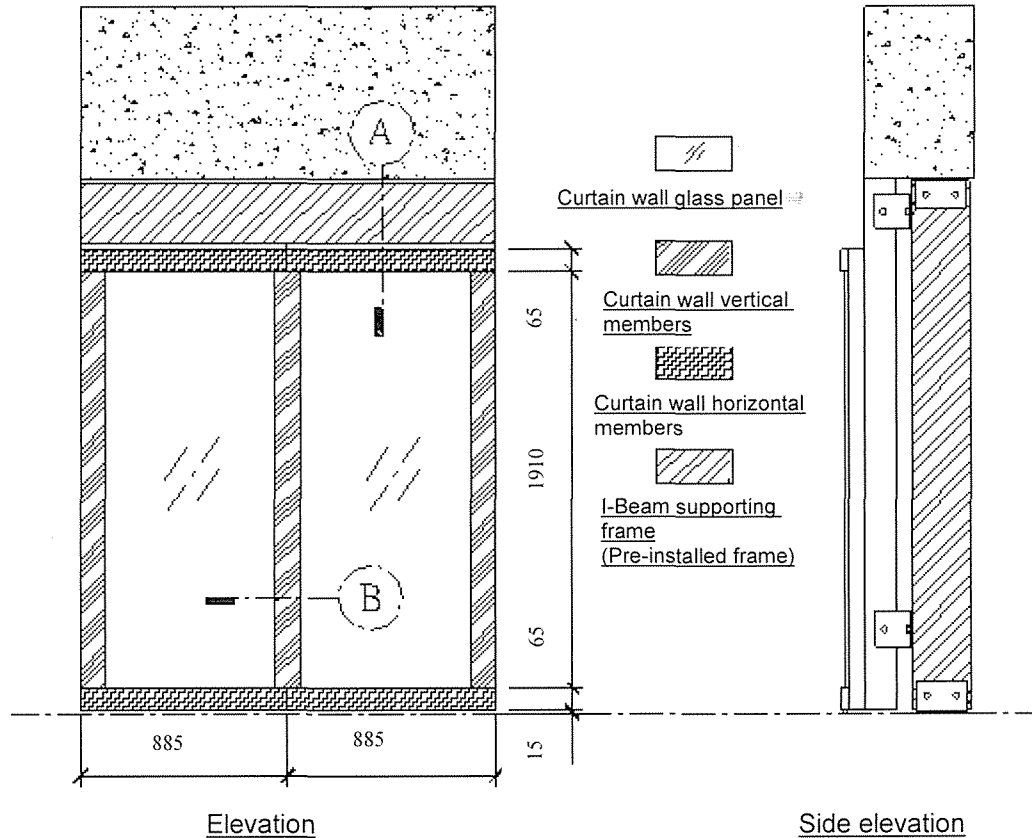
- Notes :
- (1) Candidate should read the attached "Notes to candidate" before commencement of work.
  - (2) Candidate will be assessed as fail if he / she conducts the test without necessary safety precautions and / or conduct works in any dangerous situations.
  - (3) There are 5 pages. Total score is 100. Passing mark is 60.

### Notes to Candidate

1. Candidates should read the test papers carefully and ask the invigilator for any queries.
2. Candidates should study the drawings and specifications attached to the test paper, if any, before the test begins.
3. Candidates should carry out the test according to test papers, working drawings and specifications provided.
4. Candidates shall bring their own safety shoes, other safety equipment will be provided by trade testing centre. Candidates must take all necessary safety precautions to ensure work safety.
5. All tools and materials required by the test will be provided by trade testing centre, candidates should check and ensure their adequacy and quality. Candidates shall use the tools and materials properly based on trade practice. All the tools must be returned to trade testing centre after the test. The candidates may ask the invigilator for any problems.
6. Candidates are required to handle and move the tools and materials for use in the test, and to carry out associated works.
7. Invigilator will take record photos periodically during the test.
8. Candidates are not allowed to take any photo or video with cameras or mobile phones.
9. Candidates are not allowed to use their mobile phones during the trade tests, except for emergency situation.
10. The marking scheme is based on the following criteria :
  - a. Understanding of drawing and specification
  - b. Preparation works before commencement of test
  - c. Working procedures
  - d. Accuracy and quality of works
  - e. Progress of works
  - f. Proper handling and use of materials
  - g. Proper use of tools and equipment
  - h. Safety precautions
  - i. Considerate of other trades
  - j. House keeping after completion of test
11. All candidates must stop when time is up.
12. Candidates are required to return the test paper to invigilator after the test.
13. Offering bribe to invigilator is an offence in law and trade testing centre will report to the ICAC for any such case.

**In the event that the candidate fails to take any necessary safety precautions and / or works in any dangerous situations, he / she will be assessed failed**

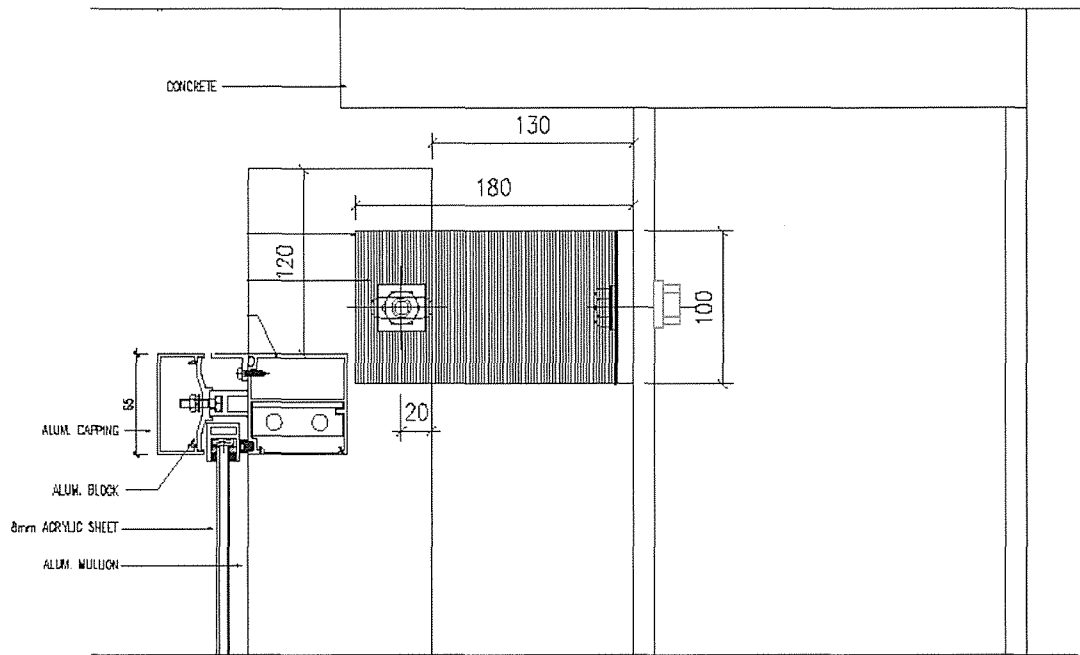
# Curtain Wall Intermediate Trade Test Drawing 1



- (1) Remove 2 pieces of glass panels and covering stripes from the existing set-up.
- (2) Please get to know what is about the internal structural connection mechanism (the candidate may consult the invigilator), then remove the horizontal members, remove the vertical member and one middle vertical member from either side.

1. Not to scale.
2. All dimensions are in mm.
3. Detailed diagram may be provided by the invigilator when required.

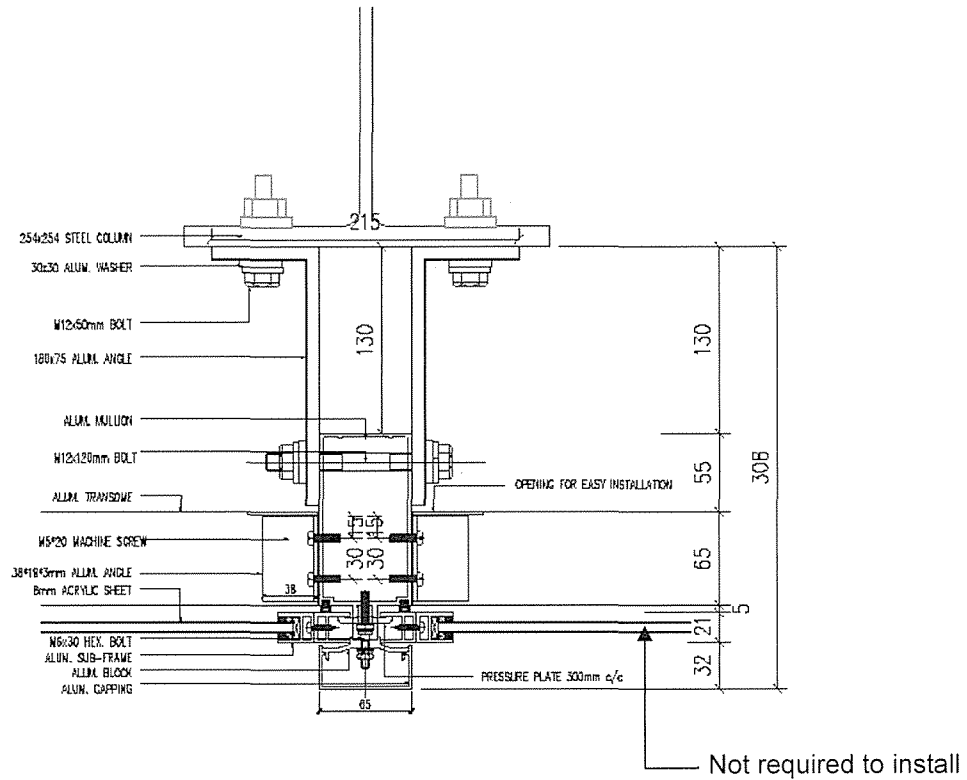
# Curtain Wall Intermediate Trade Test Drawing 2



## Section A

1. Not to scale.
2. All dimensions are in mm.
3. Detailed diagram may be provided by the invigilator when required.

# Curtain Wall Intermediate Trade Test Drawing 3



## Section B

(Glass panel installation details)

1. Not to scale.
2. All dimensions are in mm.
3. Detailed diagram may be provided by the invigilator when required.