



CONSTRUCTION
INDUSTRY COUNCIL
建造業議會

Carpenter (Formwork – Building Construction) Skilled Trade Test Mock Written Test Paper

此文件關於木模板大工 (樓宇工程) 工藝測試考題。如有需要索取此文件的中文版本，請致電 2100 9000 與香港建造業工藝測試中心聯絡。

Disclaimer

No part of this material may be reproduced or transmitted in any form or any means without the written permission of the CIC. Whilst reasonable efforts have been made to ensure the accuracy of the information contained in this material, the CIC nevertheless would encourage readers to seek appropriate independent advice from their professional advisers where possible and readers should not treat or rely on this material as a substitute for such professional advice for taking any relevant actions.

Enquiries

Enquiries on this Material may be made to the Hong Kong Construction Industry Trade Testing Centre at:

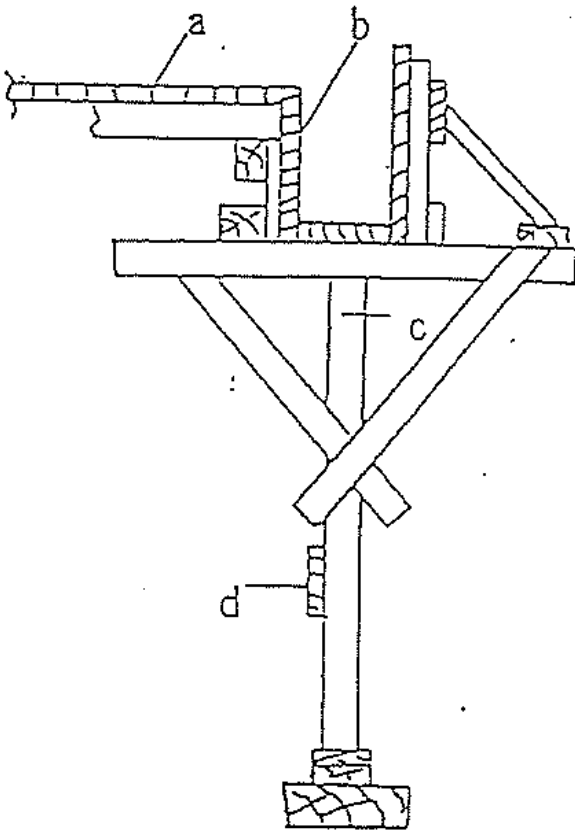
95, Yue Kwong Road
Aberdeen
Hong Kong

Tel: (852) 2100 9000
Fax: (852) 2100 9090
Email: enquiry@cic.hk
Website: www.cic.hk

© 2018 Construction Industry Council.

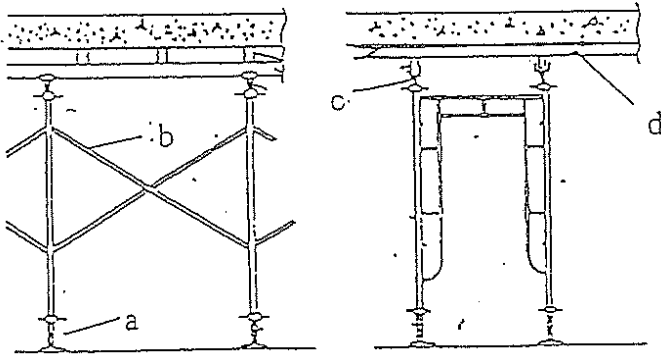
Please select the appropriate answer, each question has one answer only.

1. Identify the names of the following formwork :



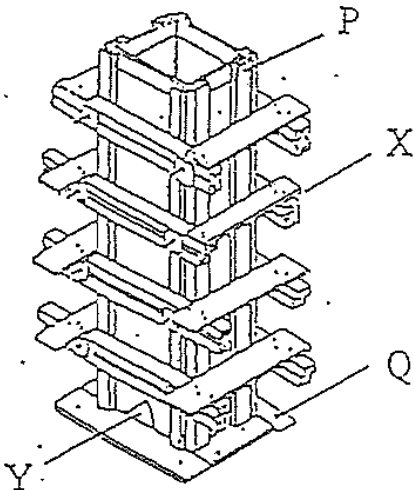
	<u>TEE-PROPS</u>	<u>BRACE</u>	<u>SIDE OF BEA</u>	<u>TIMBER BOARDING</u>
(A)	<input type="checkbox"/>	<input type="checkbox"/>	<input type="checkbox"/>	<input type="checkbox"/>
(B)	<input type="checkbox"/>	<input type="checkbox"/>	<input type="checkbox"/>	<input type="checkbox"/>
(C)	<input type="checkbox"/>	<input type="checkbox"/>	<input type="checkbox"/>	<input type="checkbox"/>
(D)	<input type="checkbox"/>	<input type="checkbox"/>	<input type="checkbox"/>	<input type="checkbox"/>

2. Identify the parts of falsework :



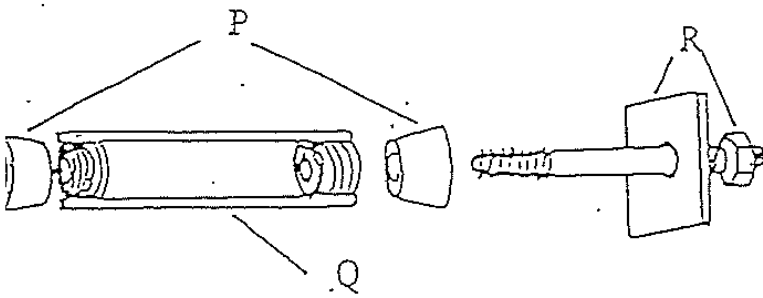
	<u>FORMWORK</u>	<u>SCREWED LEG & BASE PLATE</u>	<u>CROSS-BRACE</u>	<u>ADJUSTABLE U-HEAD</u>
(A)	<input type="checkbox"/>	<input type="checkbox"/>	<input type="checkbox"/>	<input type="checkbox"/>
(B)	<input type="checkbox"/>	<input type="checkbox"/>	<input type="checkbox"/>	<input type="checkbox"/>
(C)	<input type="checkbox"/>	<input type="checkbox"/>	<input type="checkbox"/>	<input type="checkbox"/>
(D)	<input type="checkbox"/>	<input type="checkbox"/>	<input type="checkbox"/>	<input type="checkbox"/>

3. Identify the parts of column formwork :



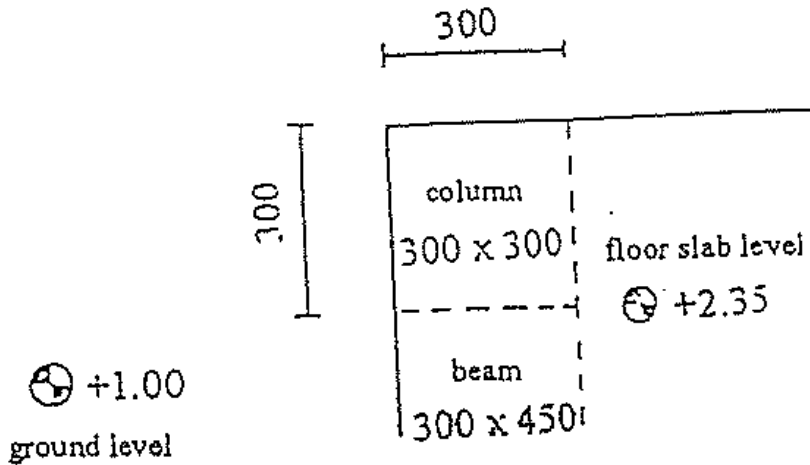
	<u>KICKER</u>	<u>WALING & YOKE</u>	<u>COLUMN PANEL & STUD</u>	<u>OPENING</u>
(P)	<input type="checkbox"/>	<input type="checkbox"/>	<input type="checkbox"/>	<input type="checkbox"/>
(Q)	<input type="checkbox"/>	<input type="checkbox"/>	<input type="checkbox"/>	<input type="checkbox"/>
(X)	<input type="checkbox"/>	<input type="checkbox"/>	<input type="checkbox"/>	<input type="checkbox"/>
(Y)	<input type="checkbox"/>	<input type="checkbox"/>	<input type="checkbox"/>	<input type="checkbox"/>

4. Identify the following items used for water retaining structure :



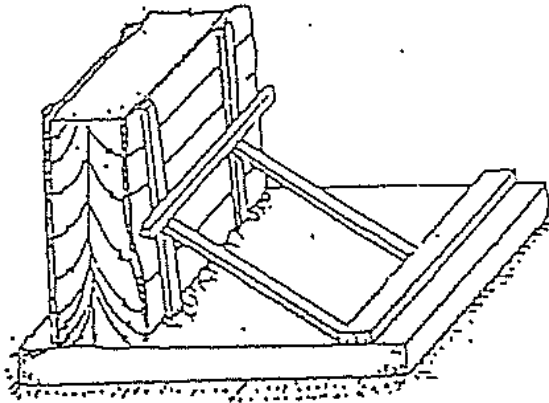
	<u>BOLT & NUT</u>	<u>COIL TYPE TIE WITH CONE SPREADER</u>	<u>PVC CONE SPREADER</u>
(P)	<input type="checkbox"/>	<input type="checkbox"/>	<input type="checkbox"/>
(Q)	<input type="checkbox"/>	<input type="checkbox"/>	<input type="checkbox"/>
(R)	<input type="checkbox"/>	<input type="checkbox"/>	<input type="checkbox"/>

5. Calculate the height of column panel from ground level to beam soffit:



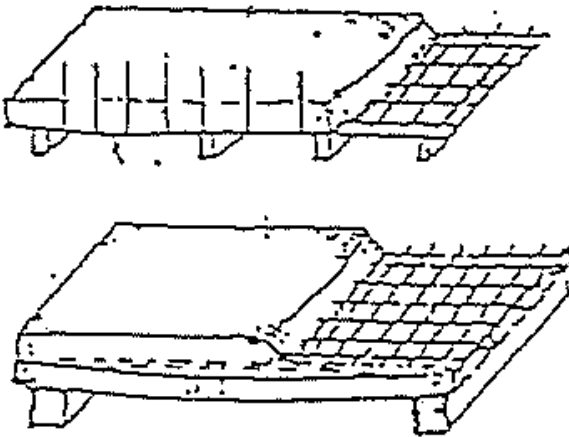
- (a) Total length 900mm
- (b) 900mm plus one piece of sawn timber
- (c) 900mm minus one piece of sawn timber
- (d) 900mm minus two pieces of sawn timber

6. After pouring concrete which part of the formwork suffers the greatest pressure:



- (a) upper part of the wall
- (b) middle part of the wall
- (c) lower part of the wall

7. Referring to the following sketches, what will you do prior to concreting:



- (a) Recalculate of the loadings
- (b) Purchasing more plywood
- (c) Estimate the amount of concrete used & arrival time
- (d) Install sufficient joist & support

8. After erection of the formwork the whole structure should be:
- (a) against wind loading & prevent ultra violet radiation
 - (b) rust and penetration proof
 - (c) shock proof & anti-abrasive
 - (d) sufficient strength, stable and rigid
9. For general residential building, the bottom layer of wall formwork waling is 0.3m from the ground, the spacing of other walings shall be around:
- (a) 0.1 m to 0.5 m
 - (b) 0.6 m to 1.0 m
 - (c) 1.2 m to 1.5 m
 - (d) 1.6 m to 2.0 m
10. The gap in the formwork will cause:
- (a) reinforcement exposed
 - (b) honey comb
 - (c) color spot on concrete surface
 - (d) curved wall surface
11. Fair-face formwork is widely used in:
- (a) public houses
 - (b) flyover structure
 - (c) swimming pool
 - (d) hotel
12. For fair-face formwork used in column or wall, the purpose of kicker is:
- (a) according to foreman's instruction
 - (b) general requirements of formwork construction
 - (c) to ensure the accuracy of upper portion formwork
 - (d) to ensure homogeneous colour of upper & lower portion concrete

13. Generally, the thickness of plastering work on wall surface is:
- (a) 3 mm
 - (b) 10 mm
 - (c) 20 mm
 - (d) 30 mm
14. The purpose of applying mould oil is:
- (a) to avoid decay of formwork
 - (b) to lubricate metal parts
 - (c) to delay concrete setting time
 - (d) to facilitate the removal of formwork
15. When working at height, other than safety helmet, one should use the following protective equipment properly:
- (a) safety harness
 - (b) boots for hiking
 - (c) cotton gloves
 - (d) goggles
16. According to HK Law, everybody must wear which of the following protective equipment when entering a construction site:
- (a) cotton gloves
 - (b) safety belt
 - (c) safety helmet
 - (d) goggles
17. Height of guardrails along the working platform shall not be less than:
- (a) 300 mm
 - (b) 600 mm
 - (c) 900 mm
 - (d) 1200 mm

18. Height of toeboard along scaffold working platform shall not be less than:
- (a) 125 mm
 - (b) 150 mm
 - (c) 175 mm
 - (d) 200 mm
19. For using milling or cutting machines, how do you handle the materials:
- (a) by hands
 - (b) bamboo
 - (c) screw drivers
 - (d) timber rod
20. The objective of tool box talk is:
- (a) to provide soft drink for workers
 - (b) to schedule a break for workers
 - (c) to report the working progress
 - (d) to brief workers about safety practice